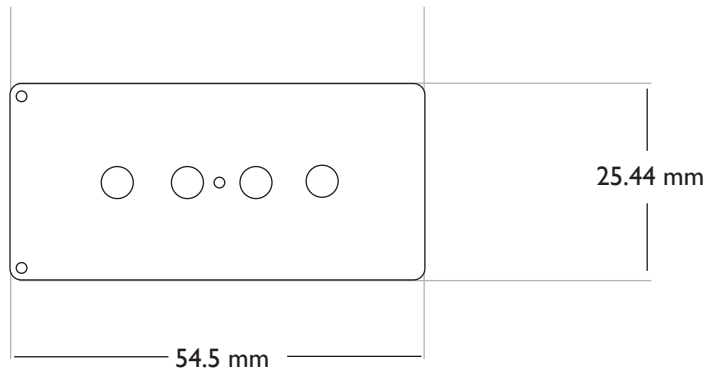


# *Bare Knuckle* P-BASS COMPONENT DIMENSIONS



P-BASS FLAT PROFILE BOBBINS



P-BASS SIDE PROFILE BOBBINS

