

2 Humbuckers, 4 Conductor, 2 Volumes, 2 Push-Pull Tones With 3 Way Toggle Switch

Key



Solder joint

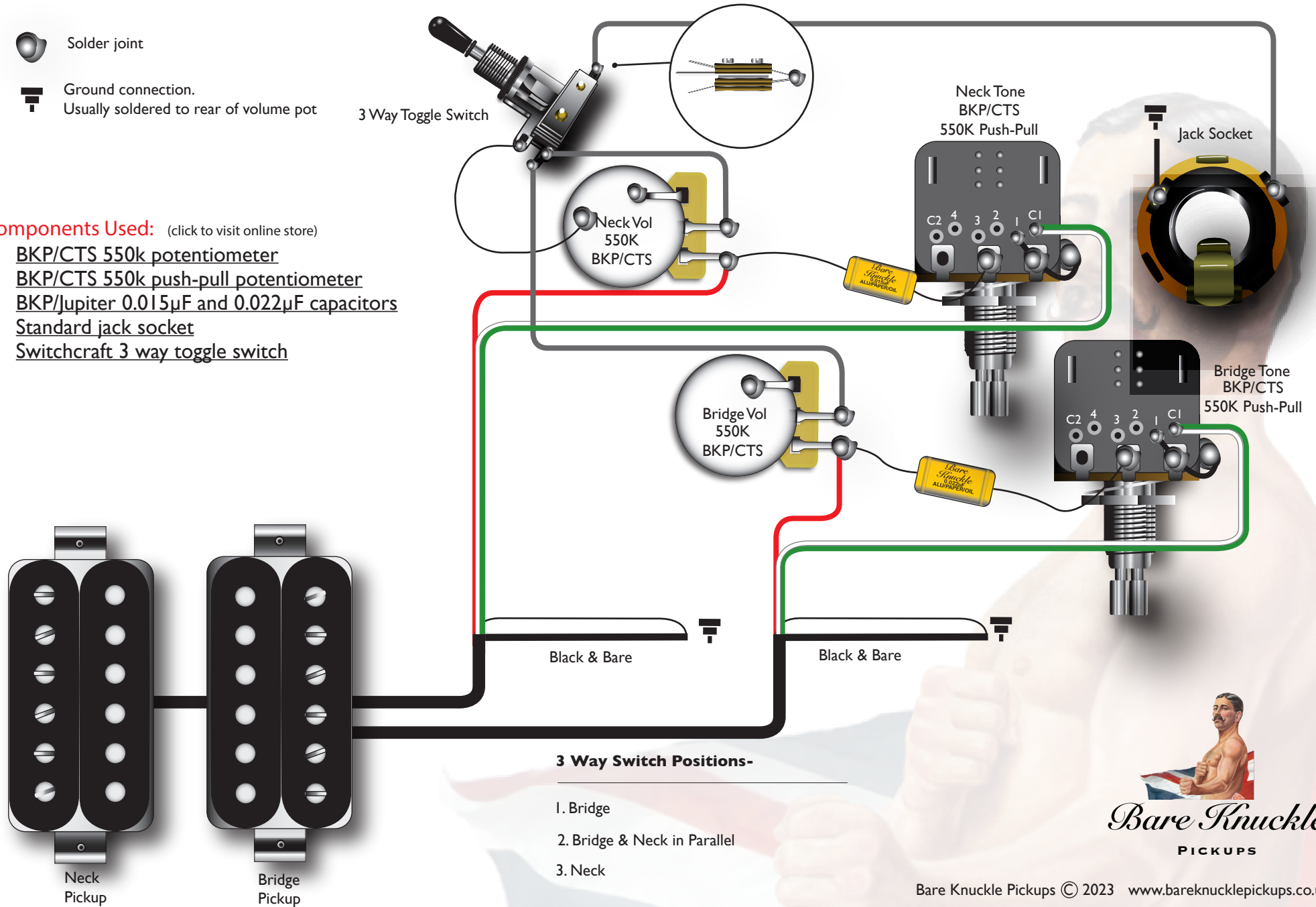


Ground connection.
Usually soldered to rear of volume pot

3 Way Toggle Switch

Components Used: (click to visit online store)

- [BKP/CTS 550k potentiometer](#)
- [BKP/CTS 550k push-pull potentiometer](#)
- [BKP/Jupiter 0.015µF and 0.022µF capacitors](#)
- [Standard jack socket](#)
- [Switchcraft 3 way toggle switch](#)



Bare Knuckle
PICKUPS