

2 Humbuckers, 4 Conductor - 2 Volumes & 1 Push Pull Tone Pot For Dual Coil Tap With 3 Way Blade Switch

Key

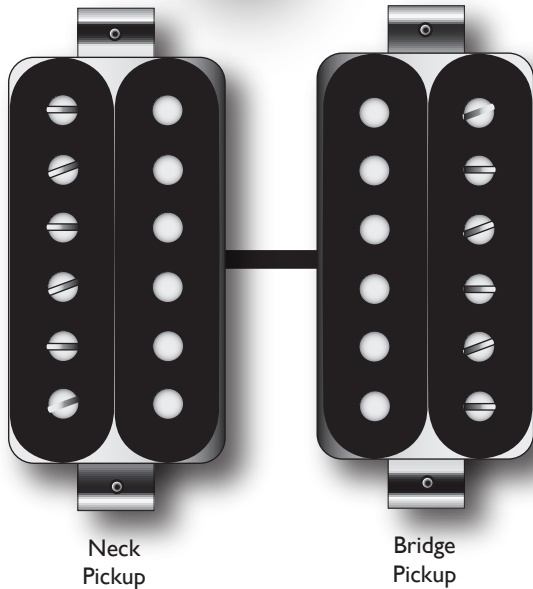
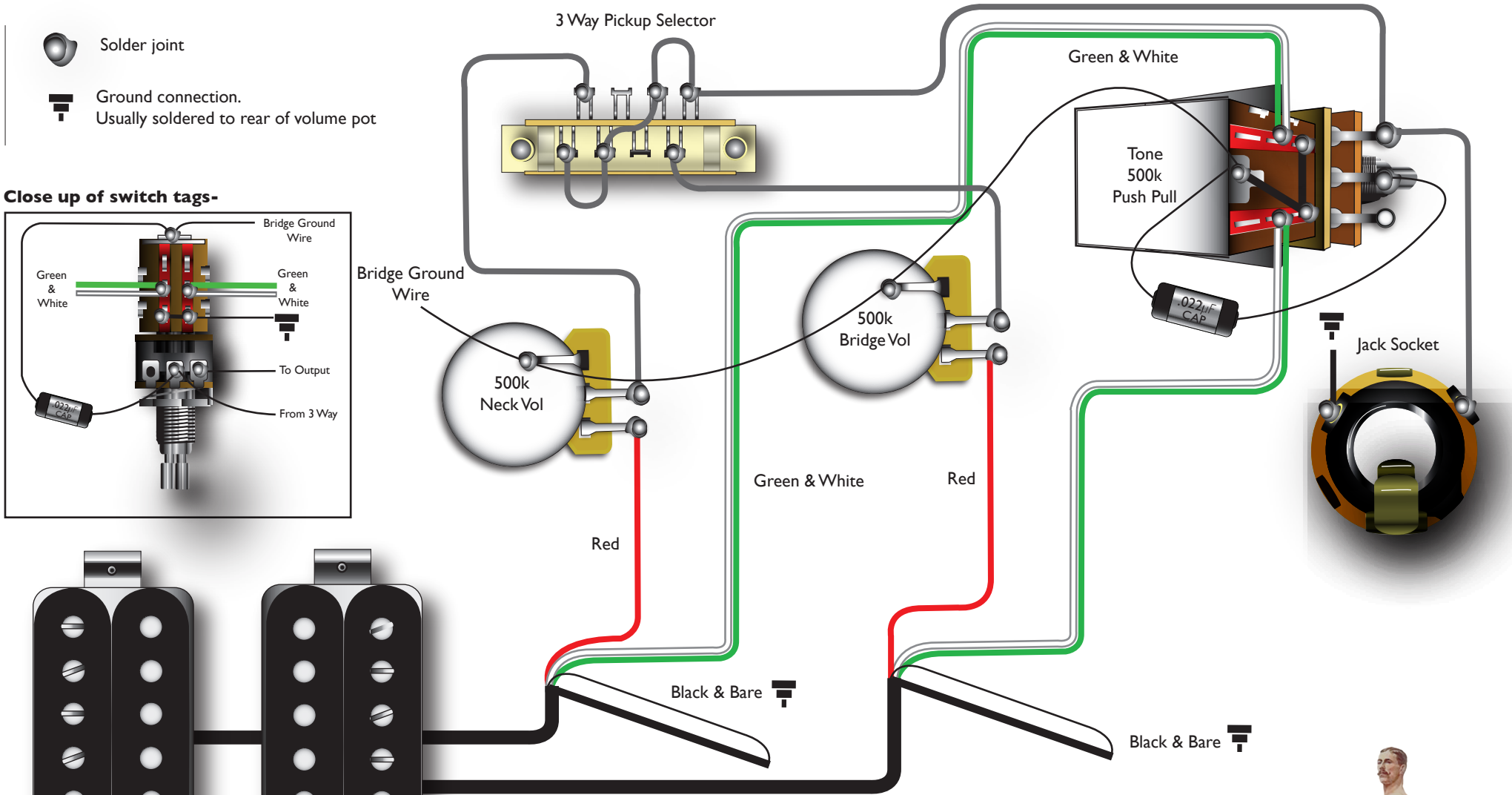
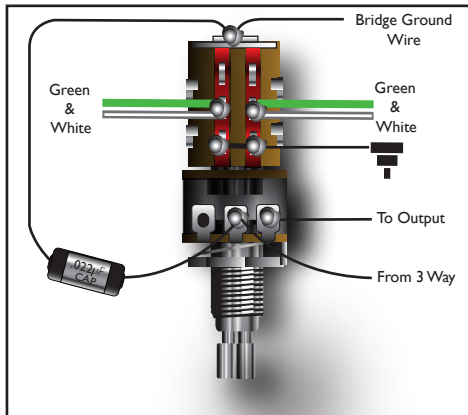


Solder joint



Ground connection.
Usually soldered to rear of volume pot

Close up of switch tags-



Push Pull Positions-

1. Switch pulled out: slug coil only
2. Switch pushed in: both coils in series (standard humbucking operation)

3 Way Switch Positions-

1. Bridge
2. Bridge & Neck in Parallel
3. Neck



Bare Knuckle
PICKUPS