

2 Humbuckers, Ibanez Style In-line 5 Way Switch

Key



Solder joint

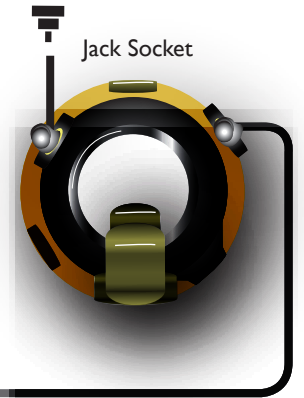
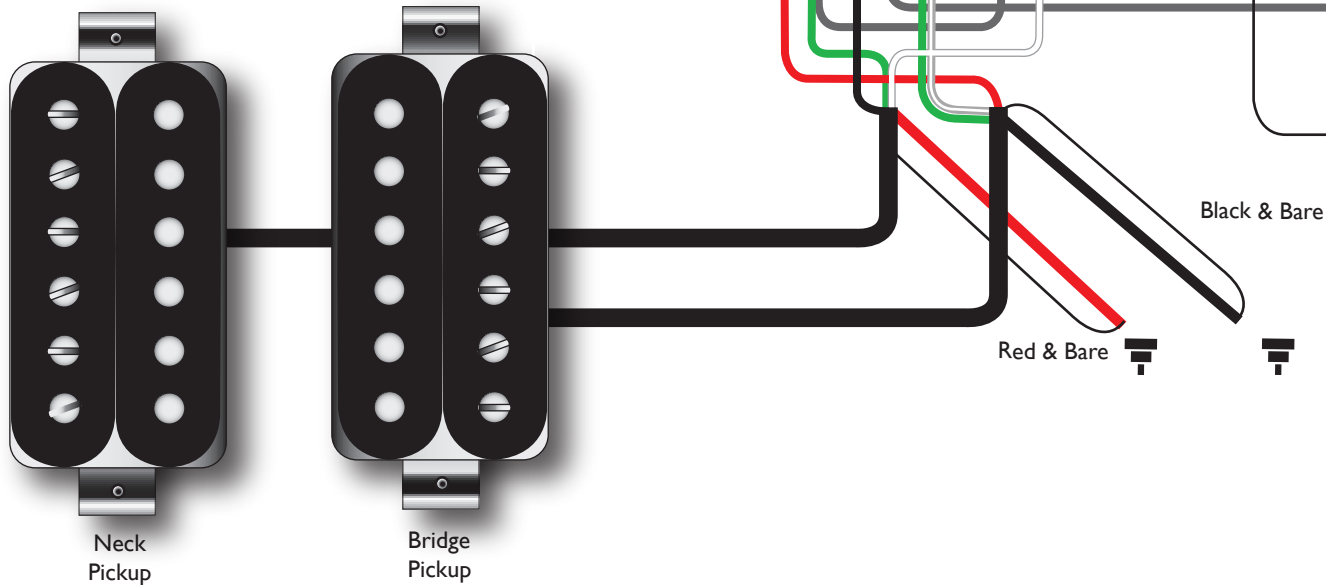


Ground connection.
Usually soldered to rear of volume pot

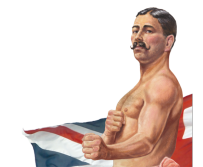
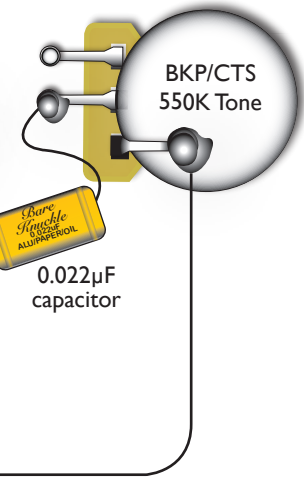
5 Way Selector Positions-

1. Bridge
2. Bridge & neck slug coils
3. Bridge & neck humbucker full
4. Neck Parallel
5. Neck Series

*Neck pickup magnet must be reversed for correct operation with this type of switching



Jack Socket



Bare Knuckle
PICKUPS