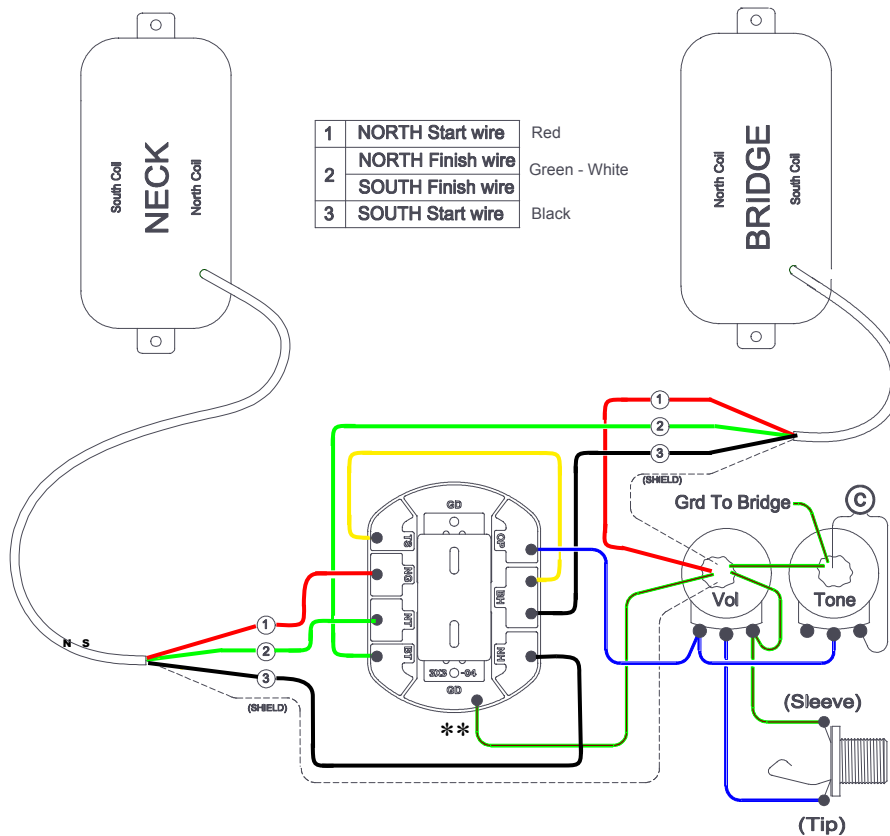
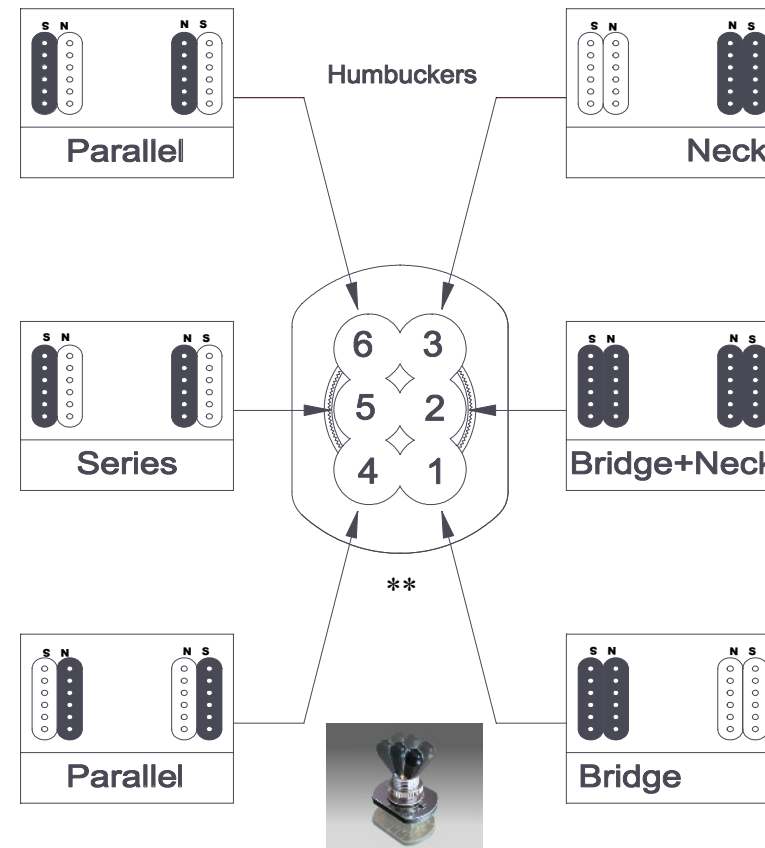


3x3 - 04 - JJ Custom Works Edition – Outer/Inner Coils - 1 Vol / 1 Tone Without Magnet Flip - Reverse Polarity Pickup Not Required

REVERSE VIEW OF PICKUPS AND SWITCH



FRONT VIEW OF PICKUPS AND SWITCH



Tin the solder pads prior to soldering the wires.
 Solder all ground wires onto pads marked 'GD'.
 The metal casing is stainless steel and can not be soldered.
 Avoid prolonged/excessive heating of pads.

* (Note:- **Magnet Flip Not Required - Standard Pickups only** *****