




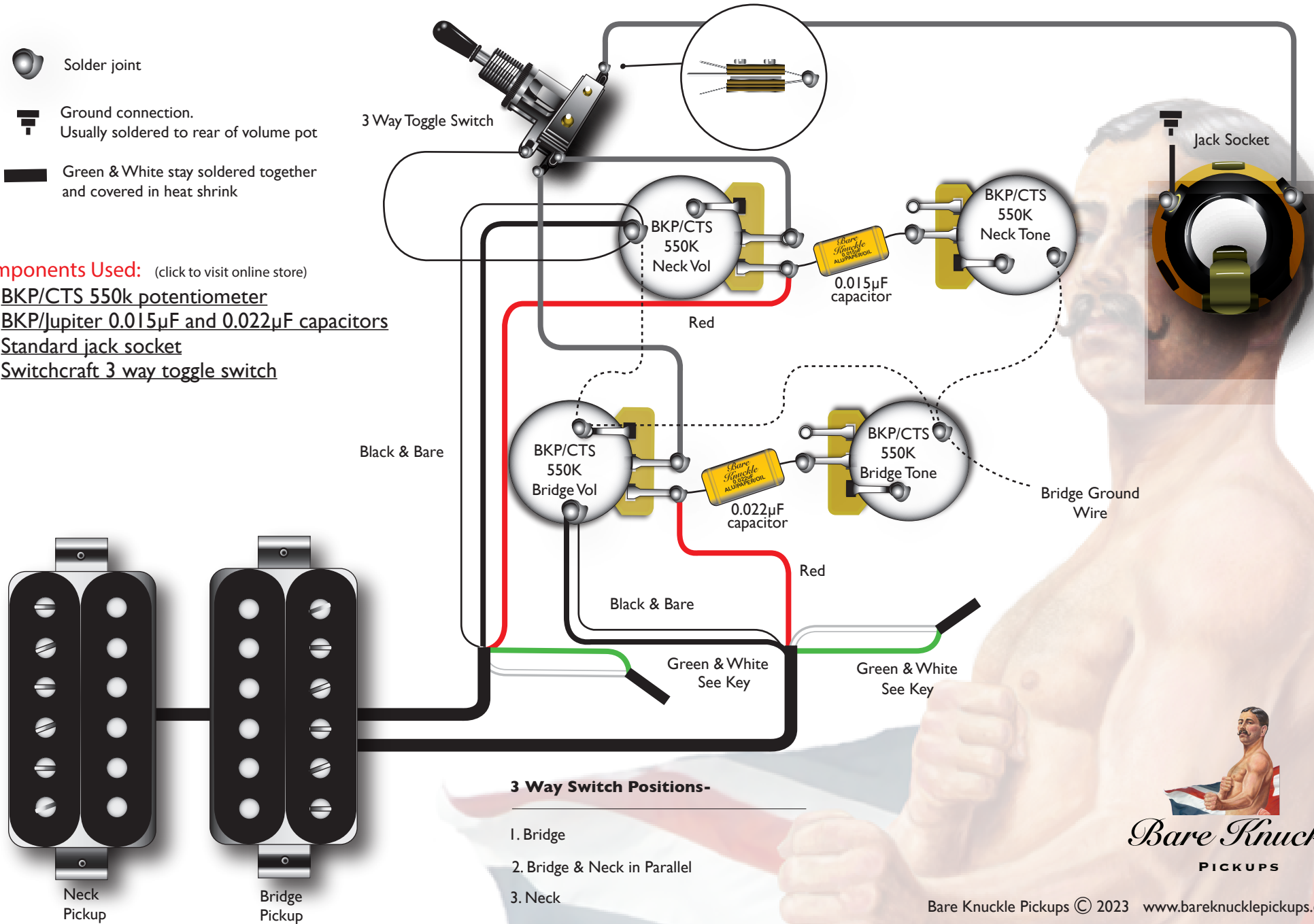
## 2 Humbuckers, 4 Conductor, 2 Volumes, 2 Tones & 3 Way Toggle Switch

Key

-  Solder joint
-  Ground connection. Usually soldered to rear of volume pot
-  Green & White stay soldered together and covered in heat shrink

**Components Used:** (click to visit online store)

- [BKP/CTS 550k potentiometer](#)
- [BKP/Jupiter 0.015µF and 0.022µF capacitors](#)
- [Standard jack socket](#)
- [Switchcraft 3 way toggle switch](#)



*Bare Knuckle*  
PICKUPS