

## 2 Humbuckers, Braided Conductor, 50's Wiring - 2 Volumes, 2 Tones & 3 Way Toggle Switch

Key



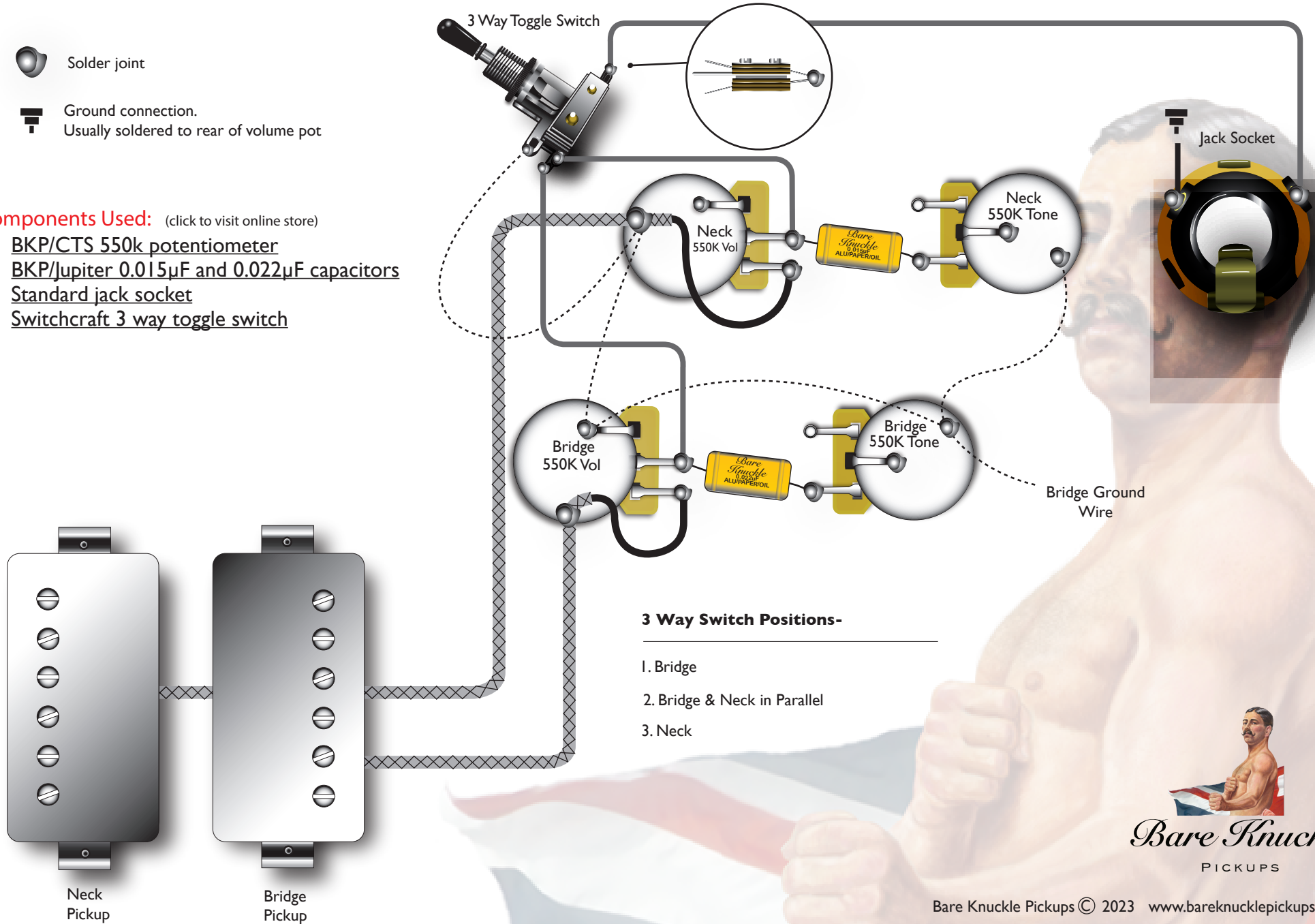
Solder joint



Ground connection.  
Usually soldered to rear of volume pot

**Components Used:** (click to visit online store)

- [BKP/CTS 550k potentiometer](#)
- [BKP/Jupiter 0.015µF and 0.022µF capacitors](#)
- [Standard jack socket](#)
- [Switchcraft 3 way toggle switch](#)



### 3 Way Switch Positions-

1. Bridge
2. Bridge & Neck in Parallel
3. Neck



**Bare Knuckle**  
PICKUPS