

2 Humbuckers, 4 Conductor - 1 Volume 1 Tone & 3 Way Toggle Switch

Key



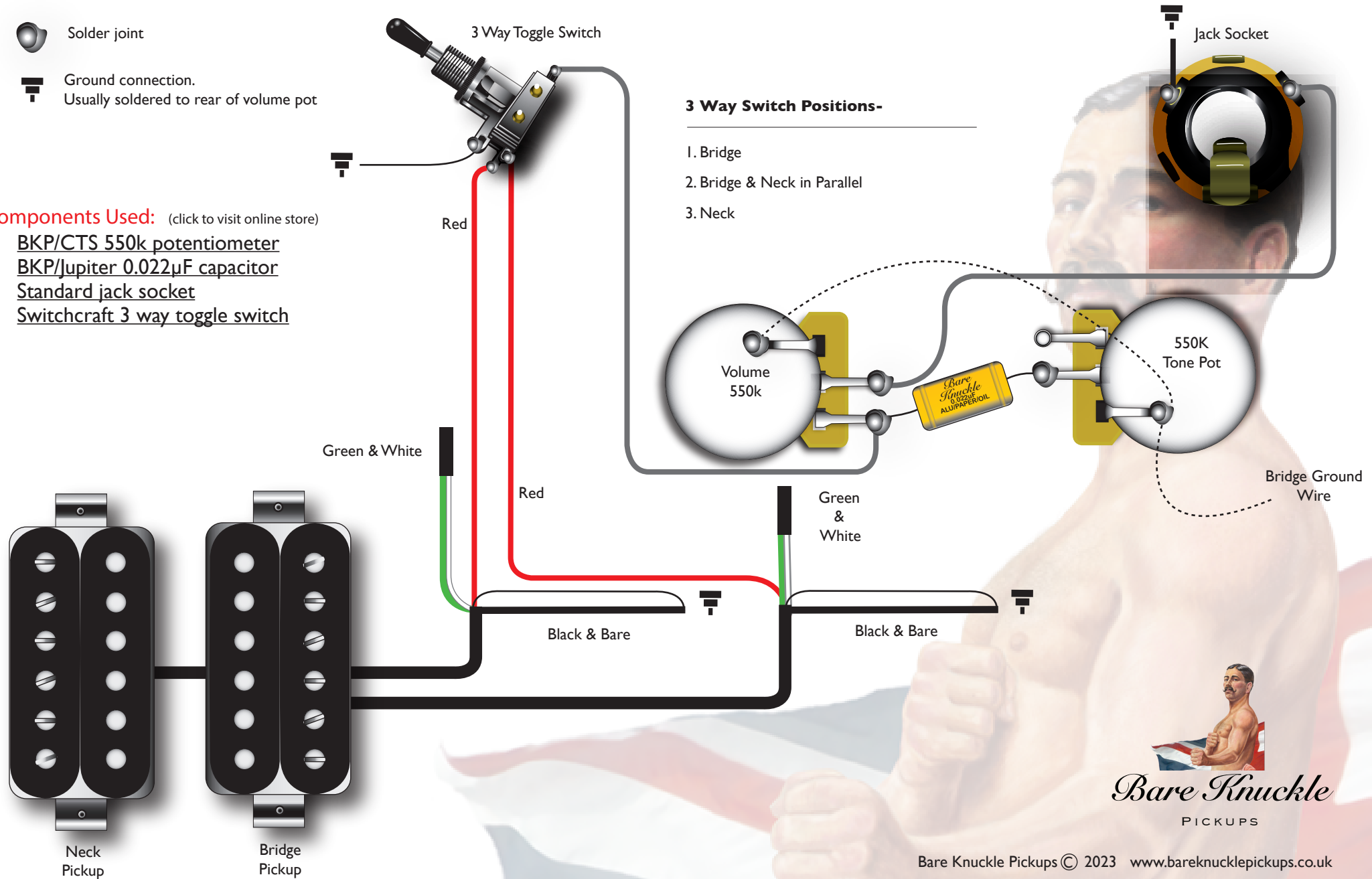
Solder joint



Ground connection.
Usually soldered to rear of volume pot

Components Used: (click to visit online store)

- [BKP/CTS 550k potentiometer](#)
- [BKP/Jupiter 0.022µF capacitor](#)
- [Standard jack socket](#)
- [Switchcraft 3 way toggle switch](#)



Bare Knuckle
PICKUPS