



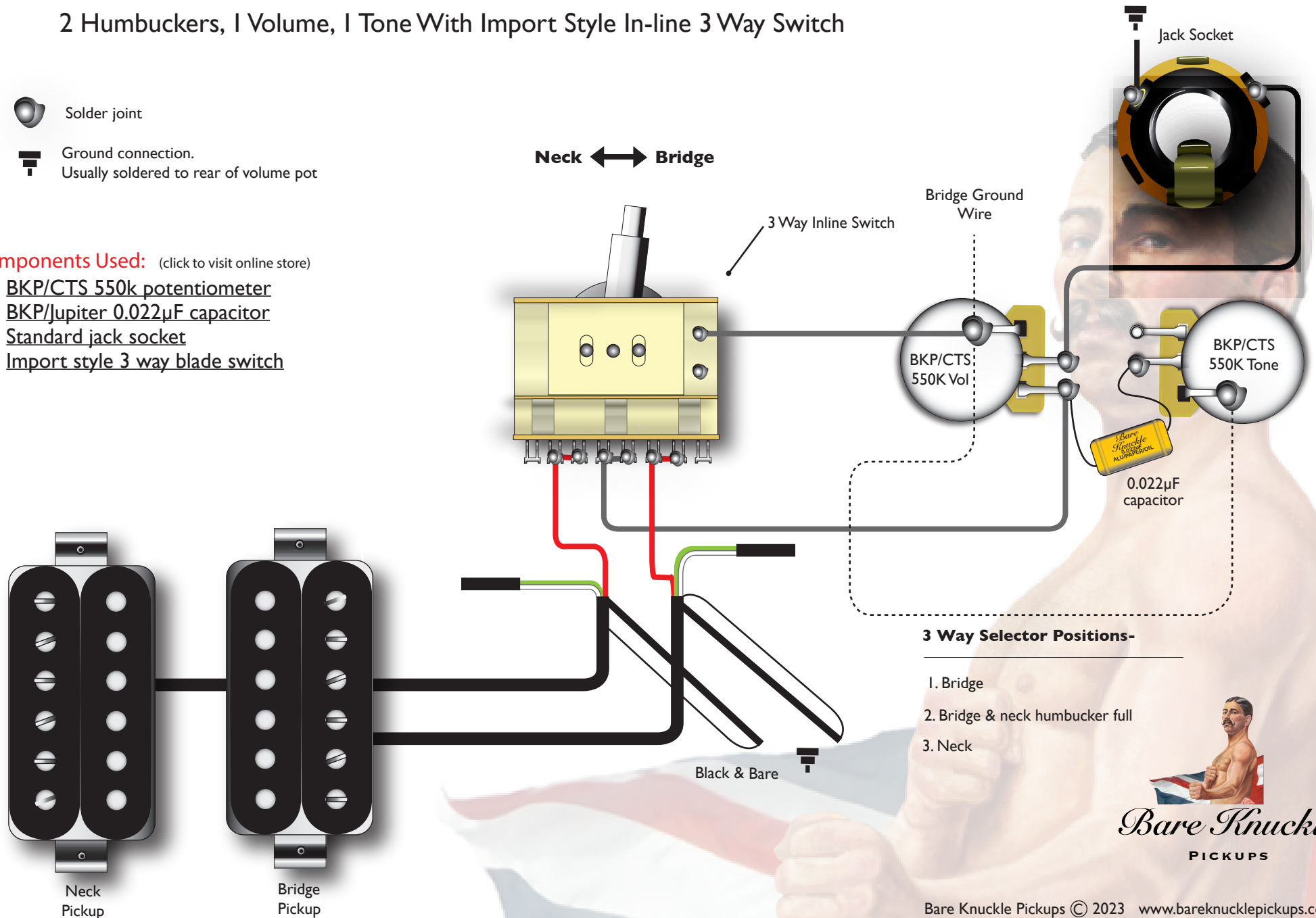
2 Humbuckers, 1 Volume, 1 Tone With Import Style In-line 3 Way Switch

Key

-  Solder joint
-  Ground connection. Usually soldered to rear of volume pot

Components Used: (click to visit online store)

- [BKP/CTS 550k potentiometer](#)
- [BKP/Jupiter 0.022µF capacitor](#)
- [Standard jack socket](#)
- [Import style 3 way blade switch](#)



Bare Knuckle
PICKUPS