



2 Humbuckers, Ibanez Style In-line 5 Way Switch

Key

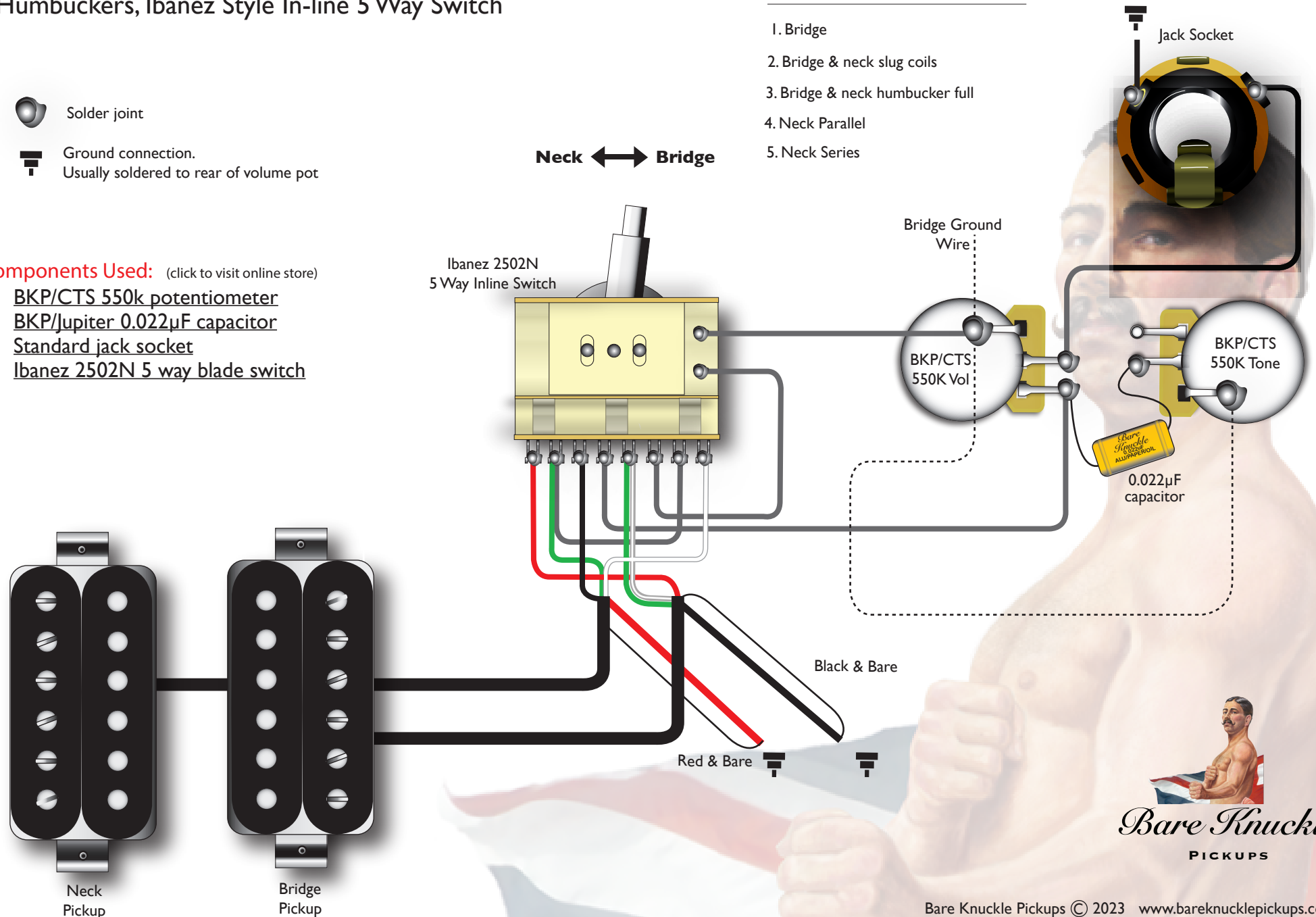
-  Solder joint
-  Ground connection.
Usually soldered to rear of volume pot

Components Used: (click to visit online store)

- [BKP/CTS 550k potentiometer](#)
- [BKP/Jupiter 0.022µF capacitor](#)
- [Standard jack socket](#)
- [Ibanez 2502N 5 way blade switch](#)

5 Way Selector Positions-

1. Bridge
2. Bridge & neck slug coils
3. Bridge & neck humbucker full
4. Neck Parallel
5. Neck Series



*Neck pickup magnet must be reversed for correct operation with this type of switching