

2 Humbuckers, 1 Volume, 1 Tone With 5 Way Super Switch

Key



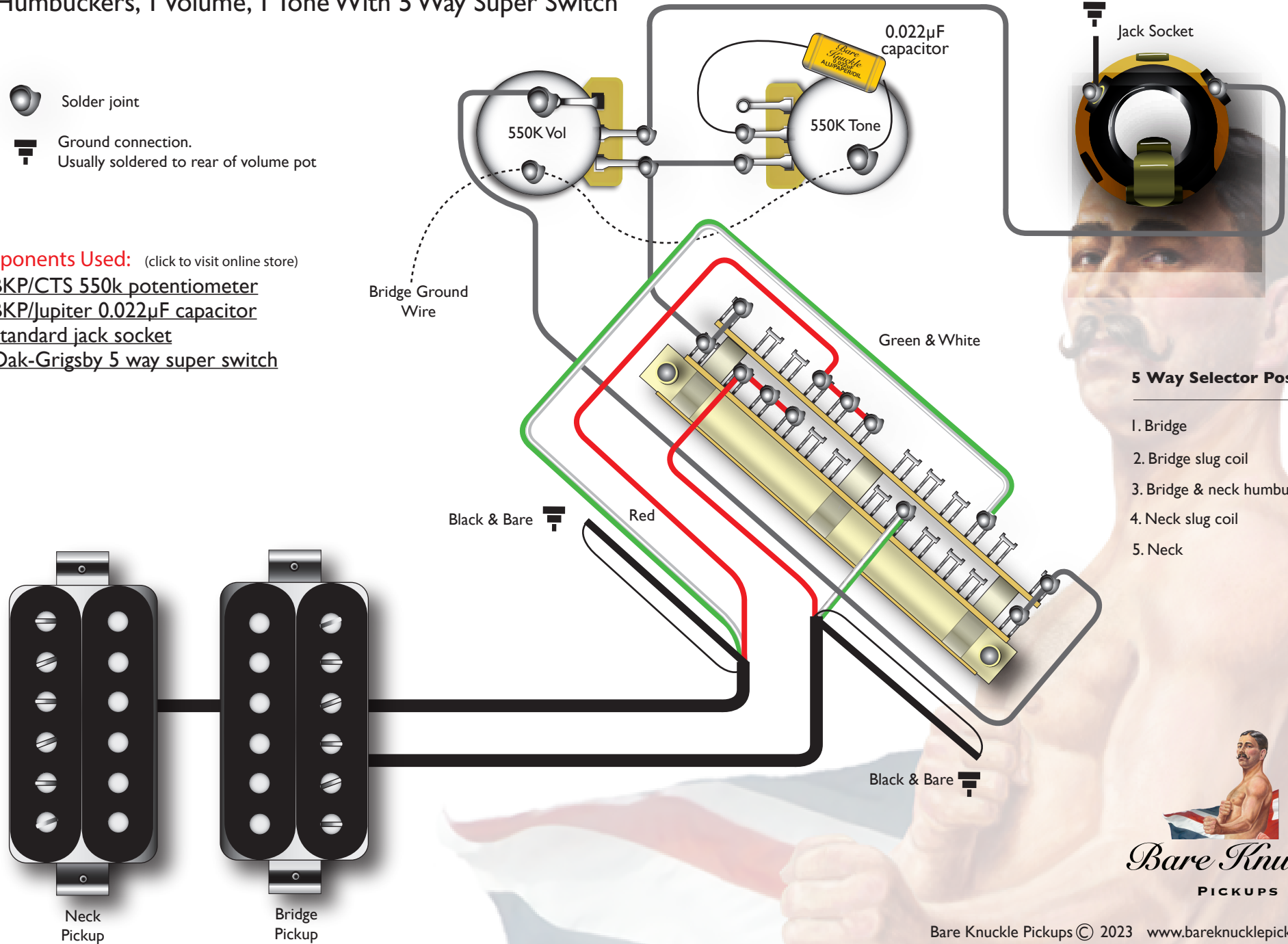
Solder joint



Ground connection.
Usually soldered to rear of volume pot

Components Used: (click to visit online store)

- [BKP/CTS 550k potentiometer](#)
- [BKP/Jupiter 0.022µF capacitor](#)
- [Standard jack socket](#)
- [Oak-Grigsby 5 way super switch](#)



5 Way Selector Positions-

1. Bridge
2. Bridge slug coil
3. Bridge & neck humbucker full
4. Neck slug coil
5. Neck



Bare Knuckle
PICKUPS