



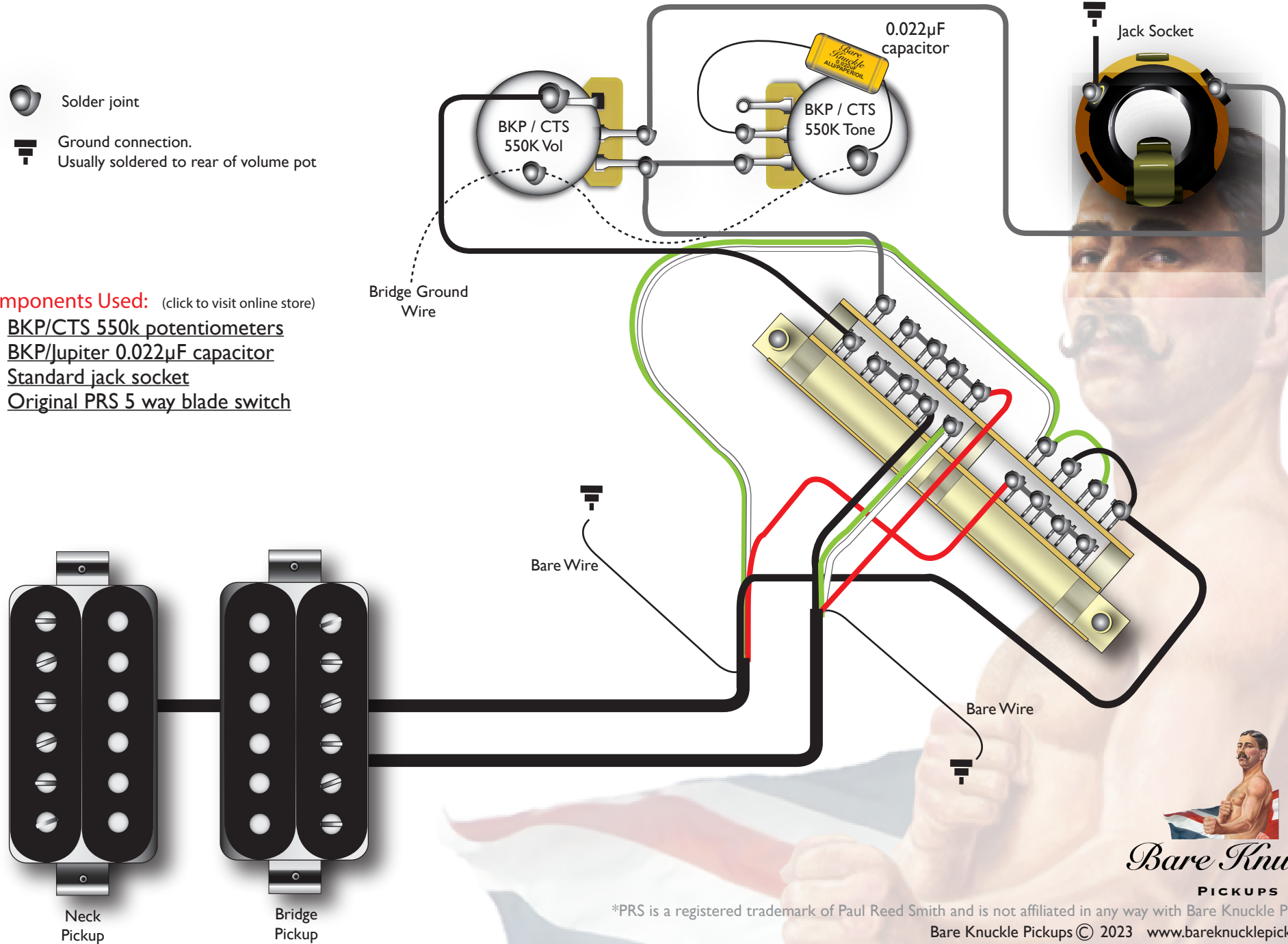
2 Humbuckers, 1 Volume, 1 Tone With PRS* Style 5 Way Blade Switch

Key

-  Solder joint
-  Ground connection.
Usually soldered to rear of volume pot

Components Used: (click to visit online store)

- [BKP/CTS 550k potentiometers](#)
- [BKP/Jupiter 0.022µF capacitor](#)
- [Standard jack socket](#)
- [Original PRS 5 way blade switch](#)



NB - Neck Pickup magnet must be reversed for correct operation with this type of switching



Bare Knuckle
PICKUPS

*PRS is a registered trademark of Paul Reed Smith and is not affiliated in any way with Bare Knuckle Pickups Ltd
Bare Knuckle Pickups © 2023 www.bareknucklepickups.co.uk