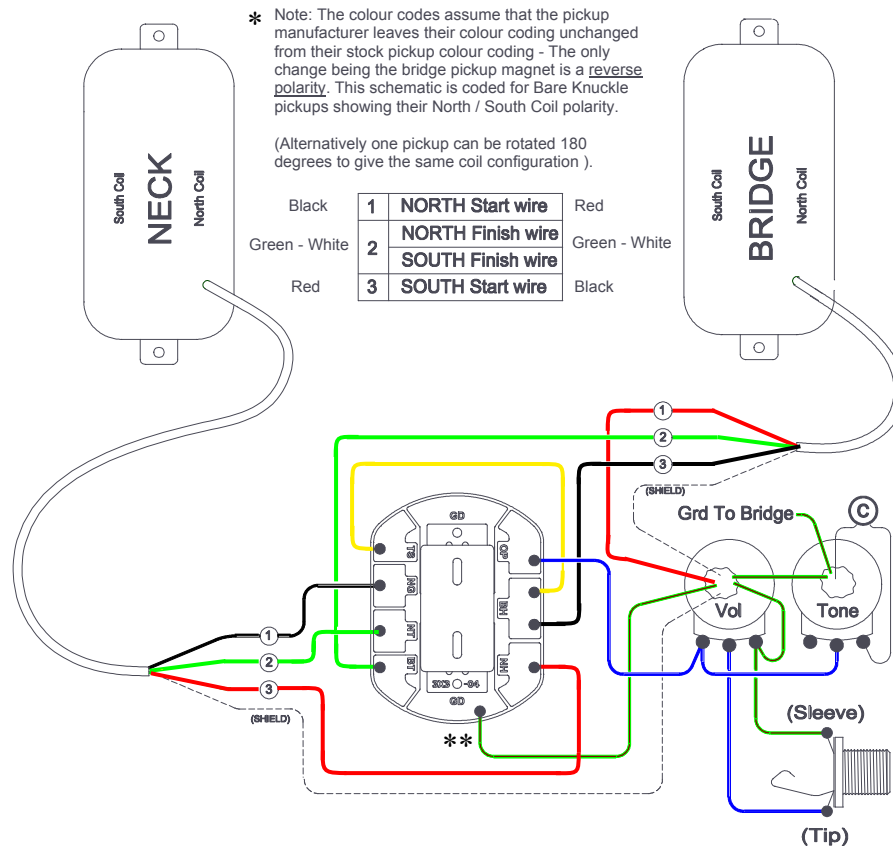


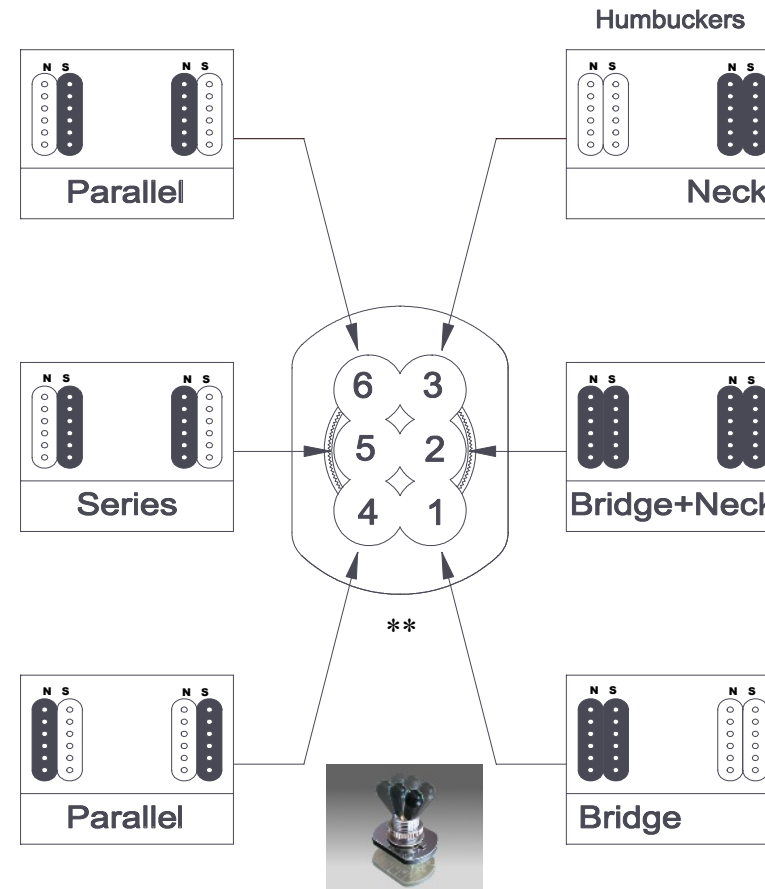
3x3 - 04 - JJ Custom Works Edition – Outer/Inner Coils - 1 Vol / 1 Tone

REVERSE VIEW OF PICKUPS AND SWITCH



Tin the solder pads prior to soldering the wires.
 Solder all ground wires onto pads marked 'GD'.
 The metal casing is stainless steel and can not be soldered.
 Avoid prolonged/excessive heating of pads.

FRONT VIEW OF PICKUPS AND SWITCH



Hum-cancelling in all positions

* (Note:- Bridge pickup to be reverse polarity
 To give coil configurations detailed above).